

touchpoint⁴

The Zareba Touchpoint4 controller provides protection of personnel and plant from flammable, toxic and oxygen gas hazards when used with up to four Sensepoint gas detectors. Self-contained, fully user configurable and wall mounted, a Touchpoint4 gas detection system can monitor gas hazards in a large area or several discrete locations from a convenient central site.

**Z zellweger
analytics**



Touchpoint4 may be driven from AC and/or DC supplies and comprises a common display module with up to four individual channel modules. It is suitable for stand-alone operation or as part of a larger distributed control system via an integral RS485 Modbus interface. The common module, with backlit display, details the overall system status and includes common alarm relays, remote reset push button input and dedicated drives for up to three field mounted audible and visual alarms. A panel mounted audible and visual alarm is also included.

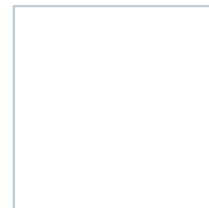
Input modules are available for use with 4-20mA and mV type gas detectors. Each channel includes a backlit display detailing gas type, measuring range, actual gas reading in both numeric and bar graph format as well as alarm status. Two user programmable alarm relays and a repeated 4-20mA signal proportional to the gas level monitored are included per channel.

The system is fully user programmable via the ultra-clear backlit displays and intuitive menu system. For example, relays may be configured as 'non-latching' (default is 'latching') so that outputs clear automatically on remote unmanned sites. Buttons used for configuration are hidden behind access panels to prevent tampering. A single button is available to all users on the front of the modules to perform a simple self-test or to reset alarms when needed.

The shallow profile is designed for easy location in corridors or reception areas where some larger controllers may be obtrusive. A wall mounting bracket is included to which the controller is attached to simplify installation. All cable entries are made using pre-formed knockouts at the bottom of the enclosure. The hinged front cover latches open to enable full and unhindered access to the terminal compartment for installers.

Event history is recorded as standard on all Touchpoint systems. Times and dates of alarms and power interruptions can be reviewed via the display to provide useful diagnostic information for service engineers and plant operators.

The Zareba Touchpoint4 gas detection system provides comprehensive control of all your gas detection needs.



User Friendly

- Self-contained, wall mounted, enclosure
- Ultra-clear backlit display
- Intuitive, icon driven, menu system
- Simple push button operation

Easy to Install

- Unobtrusive slimline profile
- Mounting bracket included
- Easy access to all terminals
- Pre-formed knockouts for cable entry

Flexible Operation

- Fully user programmable for scale, units and calibration
- Fully configurable relays
- Compatible with all Zareba gas detectors

Common Module

- System status indication
- Built-in audiovisual alarms
- AC and/or DC power distribution
- Common gas and fault alarm relays
- Dedicated drive for up to three remote audible and visual alarms
- Input for remote reset push button
- RS485 Modbus interface

Input Modules

- Accepts up to four channels
- mA and mV inputs for wide range of gas detectors
- Individual channel display
- Gas, range, reading and alarm status
- Two user programmable alarm relays
- Isolated 4-20mA output

Z lumidor

Z mda scientific

Z neotronics

Z sieger

Z zareba

Installation Details

touchpoint⁴

The Touchpoint 4 controller is designed to offer easy and convenient installation. The wall mounting bracket provided serves as a drilling template and enables the controller to be mounted without assistance.

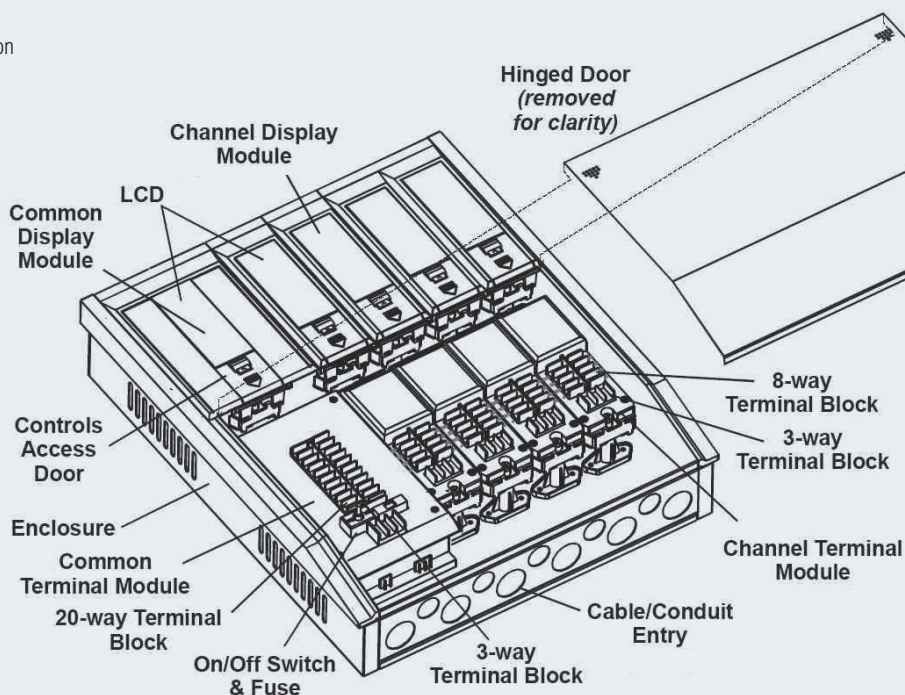
The hinged front cover may be latched open to ensure free and unhindered access to the large terminal compartment.

The pre-formed knockouts in the base offer both M20 and 3/4" NPT fittings enabling cable glands or conduit to be used during installation.

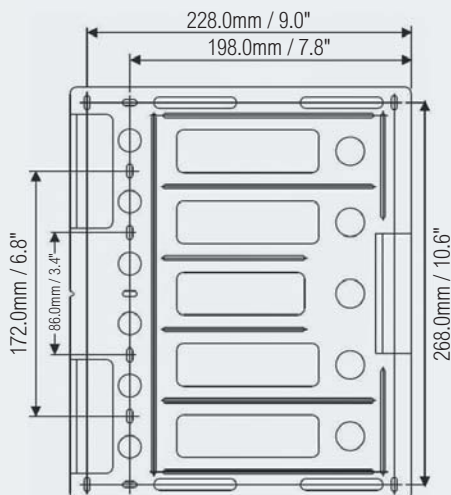
Dedicated audible/visual alarm drives are powered by the system thereby removing any need for secondary supplies.

Mechanical

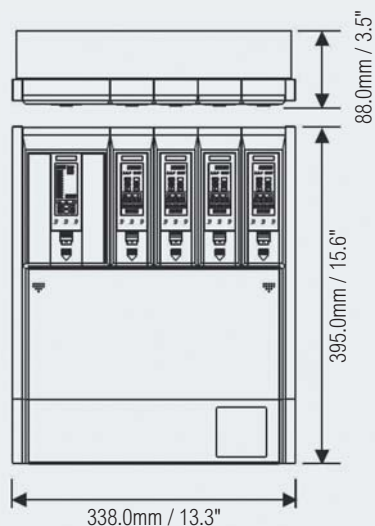
General Description



Mounting Bracket

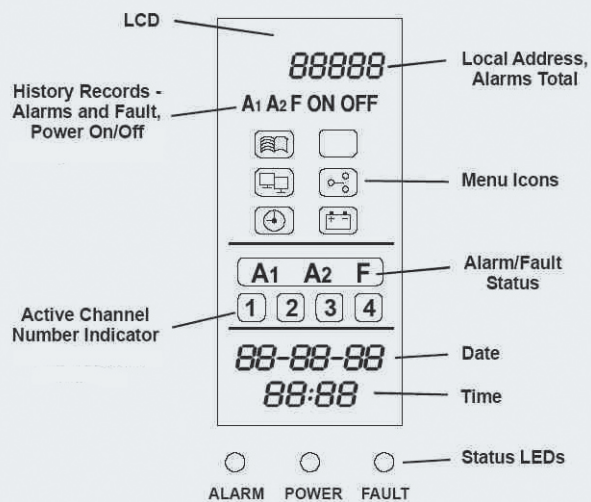


Dimensions

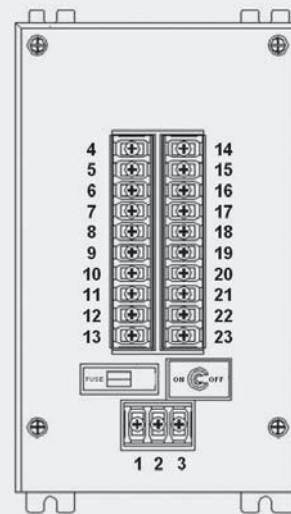


Common Module

Display



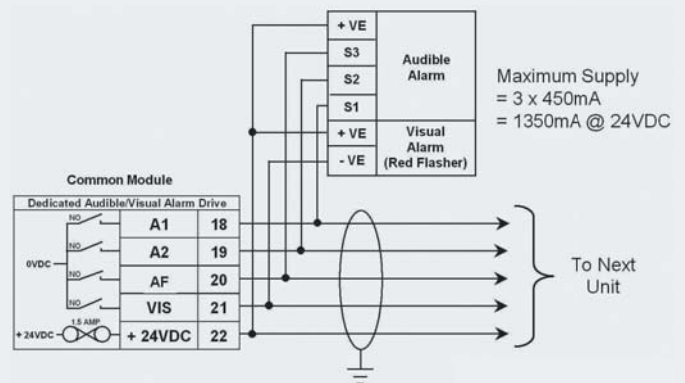
Terminal Layout



Connections

1	(L)ive	AC Supply 85-265Vac, 50/60 Hz 60W Maximum
2	(N)eutral	
3	(E)arth	
4	NC	Alarm Relay 1
5	C	
6	NO	Alarm Relay 2
7	NC	
8	C	Fault Relay
9	NO	
10	NC	DC Supply 18-30VDC
11	C	
12	NO	RS485 Modbus Link
13	DC +	
23	DC -	Remote Reset
14	D +	
15	D -	Dedicated Audible/Visual Alarm Drive
16	RST1	
17	RST2	
18	A1	
19	A2	
20	F	
21	VIS	
22	+24VDC	

Dedicated Audible/Visual Alarm Drive



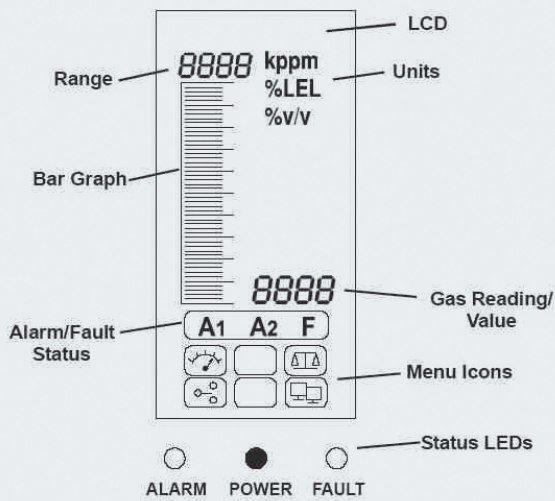
Typical Audible & Visual Alarms



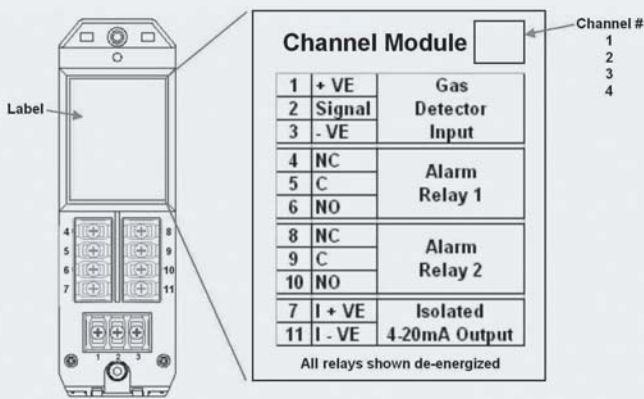
Installation Details

Channel Module (mV or mA)

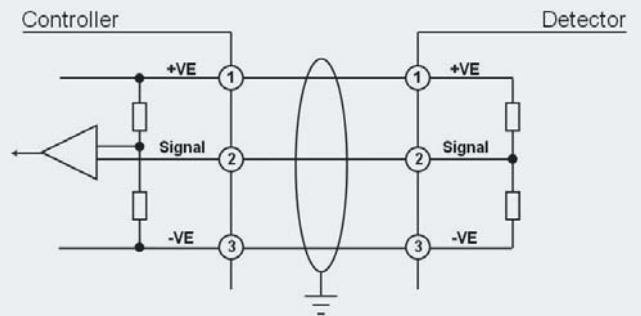
Display



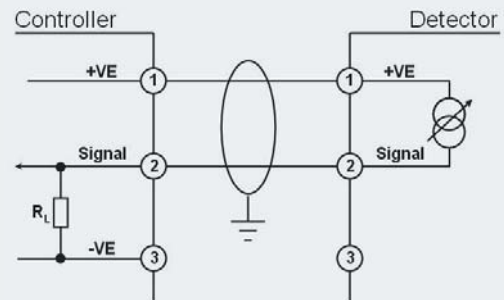
Terminal Layout & Connections



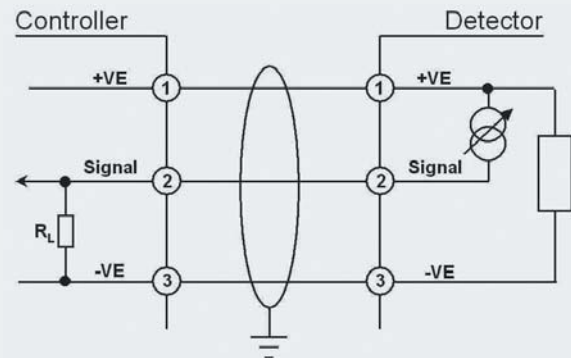
Sensepoint - Flammable (mV)



Sensepoint - Toxic & Oxygen (mA)



Sensepoint Plus & Pro – All Versions (mA)



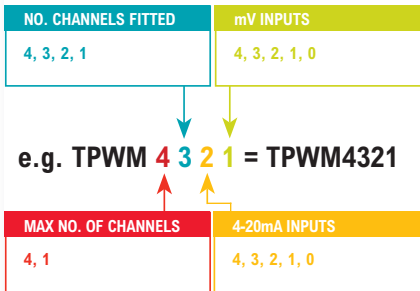
Technical Summary

touchpoint⁴



General Specification			
Use	Wall mounted 1 to 4 channel control panel for the local annunciation of gas hazards as detected by the Zareba Sensepoint range of gas detectors. Suitable for use as an indoor stand-alone, self-contained installation or as part of a larger distributed control system		
Common Operation of Modules			
Operation	Single 'Test/Accept/Reset' push button for normal use. Three further hidden push buttons per module for configuration via intuitive menu system		
Backlit display	System and channel status including gas type, measuring range, units of measure, digital gas reading, bar graph display 0-100%FSD, system status indicators including alarm set point, alarm activated and power health		
Other indication	Ultra-bright LEDs: Alarm (red), power (green), fault (amber)		
Audible alarm	85dBA at 1m / 90dBA at 1 foot, user hush facility, re-activated on next event		
Termination	Accessed via hinged front cover (latch to hold open as required). All cable/conduit entry via pre-formed knockouts at bottom of controller. Screw terminals suitable for 0.5mm ² (20AWG) to 2.5mm ² (14AWG). Crimped connection recommended		
Environmental			
IP rating	Indoor use, IP 44 in accordance with EN60529:1992		
Weight	6Kg (13.2lbs)		
Operational	Temperature	-10°C to +40°C / 14°F to 104°F	
	Humidity	10 to 90%RH (non condensing)	
	Pressure	90-110kPa	
Storage	-40°C to +80°C / -40°F to +176°F, 20 to 80%RH (non condensing)		
Common Module			
Supply	85-265Vac, 50/60Hz auto-sensing 18-30Vdc Maximum power 50 Watts		
Communications	RS485 Modbus, user configurable address and baud rate (1200, 2400, 4800, 9600, 19200)		
Other	Remote accept/reset push button, normally open, momentary close to activate		
Relays	Common Alarm 1 (A1)	Common Alarm 2 (A2)	System Fault (F)
Rating	SPCO / 3A, 240VAC (non inductive load)	SPCO / 3A, 240VAC (non inductive load)	SPCO / 3A, 240VAC (non inductive load)
Default Setting	Latching Normally de-energized Energize on any A1 alarm	Latching Normally de-energized Energize on any A2 alarm	Latching Normally energized De-energize on fault/ power loss
User Configurable Options	Latching/non-latching Energized/de-energized	Latching/non-latching Energized/de-energized	Latching/non-latching Energized/de-energized
Channel Module			
Number of Inputs	Up to four channel modules may be fitted to any system. mV and mA types available		
Input modules are suitable for the following types of detector			
Detector Type	3 wire mV bridge	2 wire, 4-20mA, loop powered	3 wire, 4-20mA, source output
Example	Sensepoint Flammable	Sensepoint Toxic and Oxygen	Sensepoint Plus or Sensepoint Pro
Detector Supply	mV Bridge Input Module Constant current supply: 200mA Self regulating supply voltage subject to cable resistance Maximum loop resistance: 18 Ohms	mA Input Module Maximum detector current supply: 500mA Minimum guaranteed supply voltage from the controller: 18Vdc Input impedance: 250 Ohms	
Relays	Alarm 1 (A1)		Alarm 2 (A2)
Rating	SPCO / 3A, 240VAC (non inductive load)		SPCO / 3A, 240VAC (non inductive load)
Default setting	Latching Normally de-energized Energize on alarm Factory setting 20%FSD		Latching Normally de-energized Energize on alarm Factory setting 40%FSD
User configurable options	Latching/non-latching Energized/de-energized Rising/falling (Oxygen) Trip point 10-90%FSD		Latching/non-latching Energized/de-energized Rising/falling (Oxygen) Trip point 10-90%FSD
Other	Isolated 4-20mA output proportional 0-100%FSD		

Ordering Information



For reference only

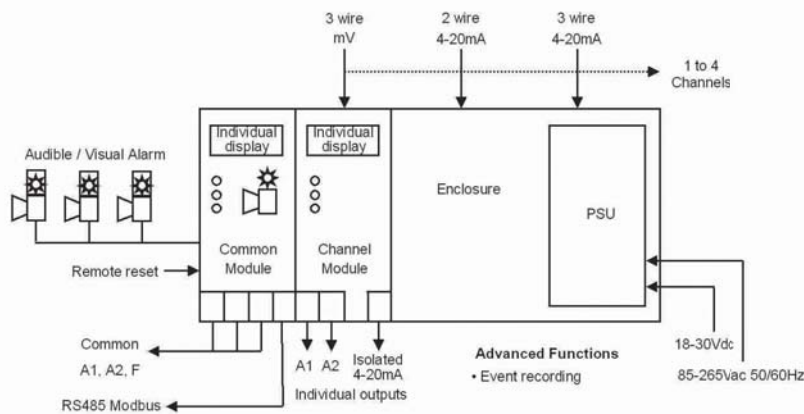
Detector		Input Module Required	Wires
Sensepoint	Flammable	mV	3
	Toxic	mA	2
Sensepoint Plus	Flammable	mA	3
	Toxic	mA	3
Sensepoint Pro	Flammable	mA	3
	Toxic	mA	3

Notes

- No Channels Fitted ≤ Max No. Channels
- No Channels Fitted = 4-20mA Inputs + mV Inputs

Standard Supply	Each Touchpoint controller is supplied complete with mounting bracket, instruction manual and requisite number of mV and mA input modules with factory default settings
Shipping details	Shipping carton dimensions: L446mm (17.6") x W417mm (16.4") x D90mm (3.5") Approximate weight: 6Kg (13.2lbs)

System Overview



zenter
customer business center

ZENTER AMERICAS

Zellweger Analytics Distribution, Inc.
400 Sawgrass Corporate Pkwy.
Suite 100
Sunrise, FL 33325
Tel: +1 954 514 2700
Toll free: +1 800 538 0363
Fax: +1 954 514 2784
sales@zelana.com

ZENTER EUROPE

Wilstrasse 11-U11
CH-8610 Uster
Switzerland
Tel: +41 (0)1 943 4300
Fax: +41 (0)1 943 4398
sales@zelana.co.uk

www.zelana.com

Please Note:

While every effort has been made to ensure accuracy in this publication, no responsibility can be accepted for errors or omissions. Data may change, as well as legislation, and you are strongly advised to obtain copies of the most recently issued regulations, standards, and guidelines.

Issue 1 11/2004
DS0315

z **zellweger analytics**

A Division of the Zellweger Luwa Group